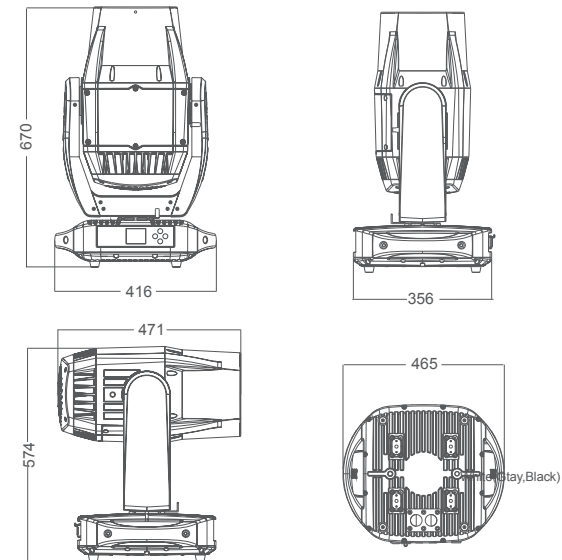


LUX OUTDOOR 400 HYBRID

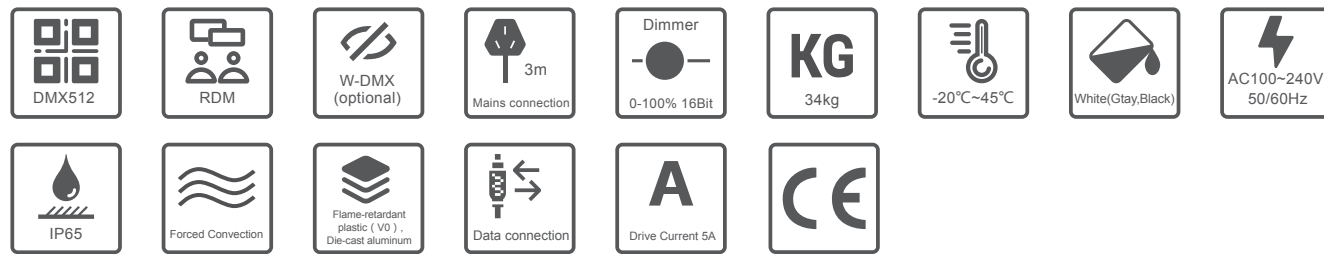
Lux Outdoor 400 Hybrid is a powerful IP hybrid moving head, with high-efficient optics, wide zoom angle from 3-30°, provides a strong Beam and Spot effect. It has fast and silent X/Y movement, professional high quality color wheel, extremely clean static and rotation gobo wheel projection, amazing double prism effect (8 facet and linear prism)! Perfect product for outdoor concerts/events, commercial complex, theme park, amusement park and landmark building etc.



DIMENSIONS



SPECIFICATIONS



ROTATING GOBO



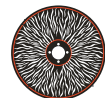
COLORS



CMY



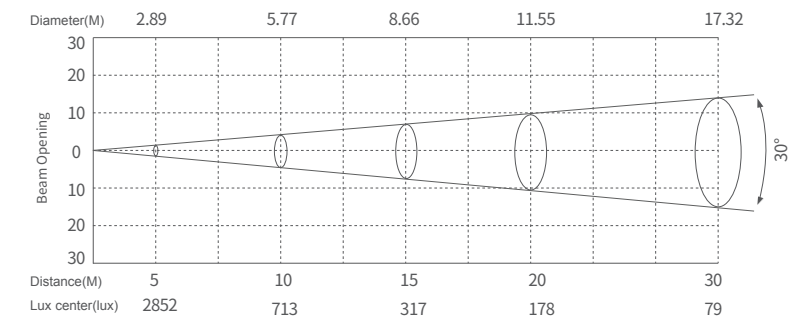
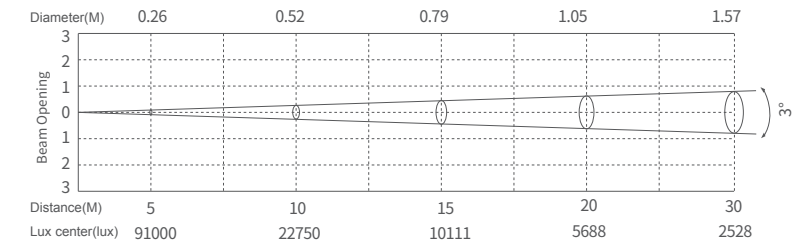
Animation Wheel



TECHNICAL DATA

PRODUCT	
Light source	LED 300W
Angle	3-30°
Max. Power	400W
Display	On board Control, Custom Mode, 0-25Hz Strobe
Pan/Tilt rotation	540°/270° (8-16bit)
Con Personality	BASIC/20CHS、STANDARD/24CHS、Extend/28CHS
Special	Pan/Tilt movement blackout, User-selectable pan/tilt ranges, gravitation sensor for auto screen positioning
Rotating Gobo	8 Gobos+ White, Gobo-flow effect, Gobo shake, Bi-directional rotation
Colors	CMY wheel One color wheel(8dichroic-filters+White, Rainbow-flow effect)
Prism	One piece of 5 F prism with bi-directional rotation, Speed adjustable
Animation Wheel	Bi-directional rotation, Speed adjustable
Focus	Motorized linear focus
Frost	1 Frost filter

ILLUMINANCE DIAGRAM



ACCESSORIES

Wireless receiver Kit (X10156)